

### LISTA RICAMBI / ERSATZTEILLISTE / LIST OF SPARES

N° di parte Teil-Nr Part Nr.	Descrizione Bezeichnung Description	HR2734 HR2734S HR2734ACS
1	Hauptplatine m. Digitalschnittstelle Main PCB with digital plug	HR2734/01
2	Motor-Satz Motor set	HR2734/02
3	Kardan und Antriebsschnecken Cardan shafts and worm gears	HR2734/03
4	Radsätze DC (2 Stk.) Wheel sets DC (2 pcs.)	HR2734/04
5	Radsätze AC (2 Stk.) Wheel sets AC (2 pcs.)	HR2734/05
6	Drehgestell komplett DC Bogie with wheel sets DC	HR2734/06
7	Drehgestell komplett AC Bogie with wheel sets AC	HR2734/07
8	Wechselstromschleifer AC pick-up shoe	HR2734/08
9	Puffer und Kleinteile Buffers and accessory parts	HR2734/09
10	Abdeckung für Antriebsschnecke Worm gear cover	HR2734/10
11	Stromabnehmer Pantograph	HR2734/11
12	Licht-Platinen (4 Stk.) Light PCBs (4 pcs.)	HR2734/12
13	Stromabnehmerkontakte Current pick-ups	HR2734/13
14	Zahnrad-Satz (5 Stk.) Gear set (5 pcs.)	HR2734/14
15	Scheibenwischer, Griffstangen etc. Windscreen wipers, handrails etc.	HR2734/15
16	Satz Haftreifen (4 Stk.) Set of traction tires (4 pcs.)	HR2734/16

Manufactured by: **HORNBY HOBBIES LTD**  
Westwood, Margate, Kent, CT9 4JX, UK  
+44 (0)1843 233525

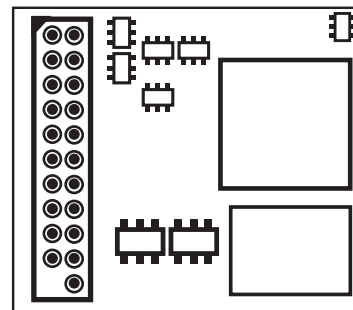
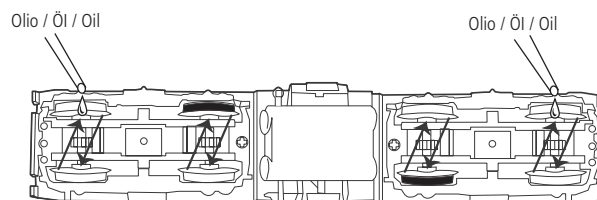
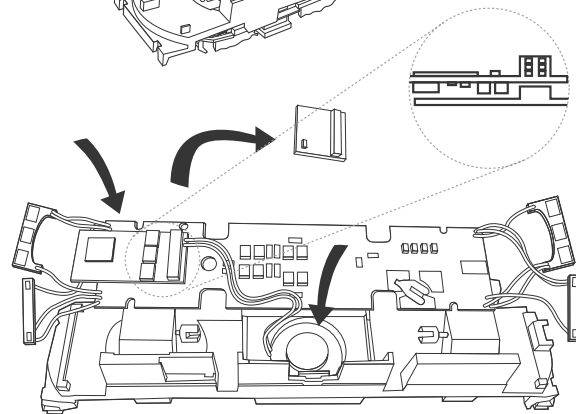
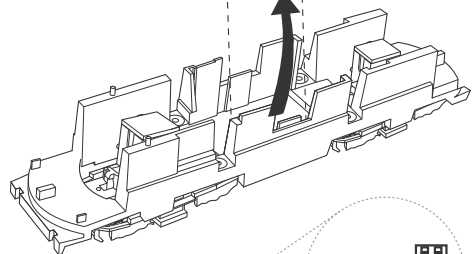
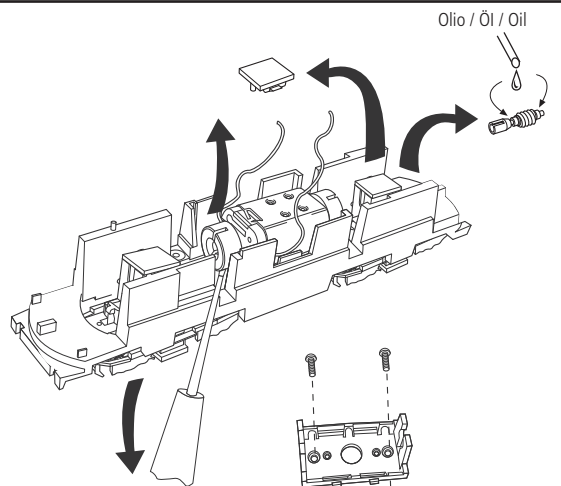
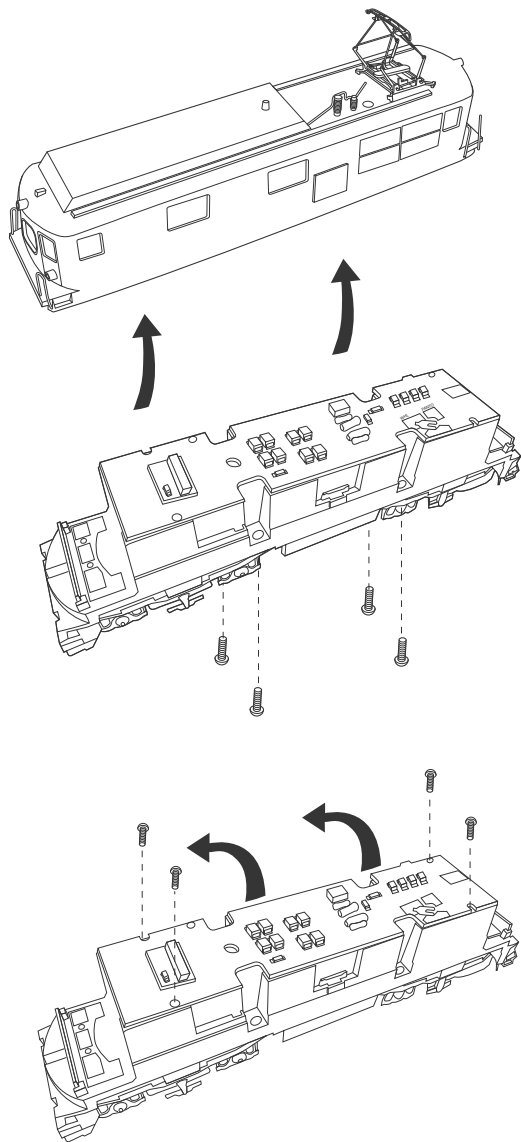
EU Authorised Representative: **HORNBY ITALIA SRL**  
Viale dei Caduti, 52/A6, Castel Mella (BS), Italy, 25030  
+39 0687501292

**IT** +39 0687501292  
Customerservices.it@hornby.com  
Technicalservices.it@hornby.com

**DE** +49 8921094551  
Customerservices.de@hornby.com  
Technicalservices.de@hornby.com

**UK** +44 (0)1843 233525  
Customerservices.uk@hornby.com  
Technicalservices.uk@hornby.com





n.c.	1	22	Guida a destra (rosso) Rechte Schiene (Rot) Right Rail (Red)
n.c.	2	21	Guida a sinistra (nero) Linke Schiene (schwarz) Left Rail (Black)
n.c.	3	20	Massa Masse Masa
AUX 4 Luce posteriore (cab 2) AUX 4 Rote Schlussleuchten (Fs. 2) AUX 4 Red rear lights (cab 2)	4	19	Motore, destra (arancio) Motor, rechts (orange) Motor, right (orange)
n.c.	5	18	Motore, sinistra (grigio) Motor, links (grau) Motor, left (grey)
n.c.	6	17	AUX 5 Luce cabina (+F0) AUX 5 Führerstandsbeleuchtung (+F0) AUX 5 Cabin light (+F0)
Luce (bianco, cab. 2) Spitzenlicht (Fs. 2) Head lights (cab 2)	7	16	+20V Ret F. (Blu) +20V (blau) +20V Ret. F (Blue)
Luce (bianco, cab. 1) Spitzenlicht (Fs. 1) Head lights (cab 1)	8	15	AUX 1 Luce anteriore a sinistra (cab 1) AUX 1 Linke untere Spitzenlampe (Fs. 1) AUX 1 Left lower front lamp (cab 1)
n.c.	9	14	AUX 4 Luce posteriore (cab 2) AUX 4 Rote Schlussleuchten (Fs. 2) AUX 4 Red rear lights (cab 2)
n.c.	10	13	AUX 3 Luce posteriore (cab 1) AUX 3 Rote Schlussleuchten (Fs. 1) AUX 3 Red rear lights (cab 1)
Indice Index Index	11	12	VCC